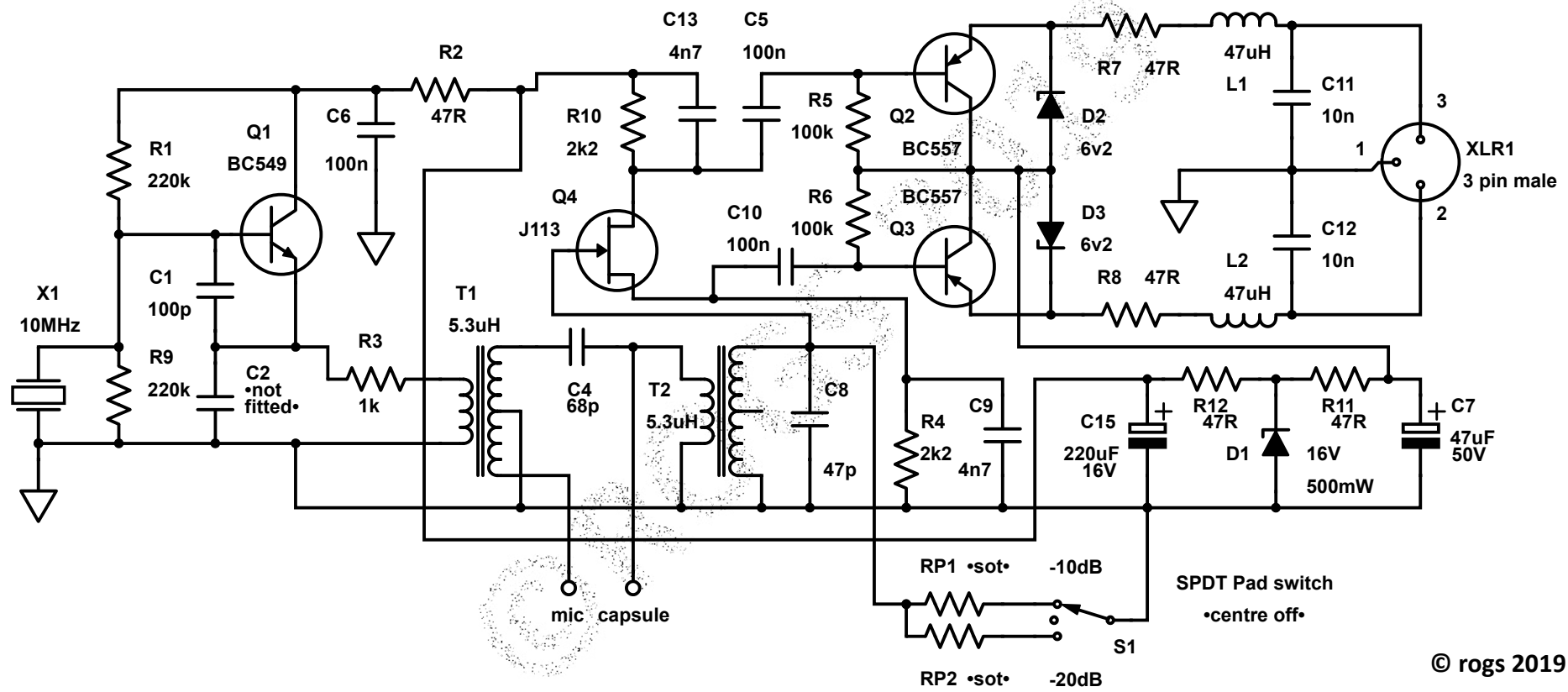


# RF.AMX10

## DIY RF Condenser Microphone - Schematic



## RF.AMX10: PCB Parts List

### Resistors -

R1 - 220k	R7 - 47R
R2 - 47R	R8 - 47R
R3 - 1k	R9 - 220k
R4 - 2k2	R10 - 2k2
R5 - 100k	R11 - 47R
R6 - 100k	R12 - 47R

- All 1% 1/8w metal film -- **MF12 series**
- 47R x 5, 1k x 1, 2k2 x 2, 100k x 2, 220k x 2

### Capacitors -

C1 - 100pF	C8 - 47pF
C2 - not fitted	C9 - 4n7
C3 - not fitted	C10 - 100nF
C4 - 68pF	C11 - 10nF
C5 - 100nF	C12 - 10nF
C6 - 100nF	C13 - 4n7
C7 - 47uF 50V	C15 - 220uF 16V

- C1, C4 and C8 are **Vishay K series** - class 1 COG 50V MLCC
- C5, C6, C9, C10, C11, C12 and C13 are **Multicomp MCPBSFC series** - 63V polyester
- C7 and C15 are **Panasonic M series** - 6.3mm diameter
- C2 and C3 are not fitted - C14 is not present

### Semiconductors -

Q1 - BC549
Q2 - BC557
Q3 - BC557
Q4 - J113 JFET
D1 - 16V 500mW Zener diode - <b>BZX79 series</b>
D2 and D3 - 6V2 500mW Zener diode - <b>BZX79 series</b>

### Crystal -

- 10MHz (IQD - LF A143K)

### Inductors -

- T1 and T2 are **Spectrum Communications 10mm 10K 7MHz RF/IF coils - Type 5u3H**  
(see here - <http://www.spectrumcomms.co.uk/Components.htm>)
- L1 and L2 are 47uH RF chokes - **Epcos B78108S BC series**

(All components - (except T1 and T2) are available from CPC Electronics in the UK)